



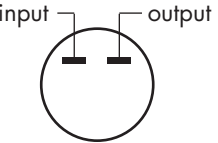
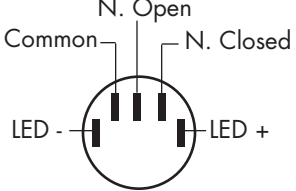
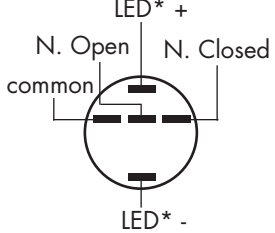
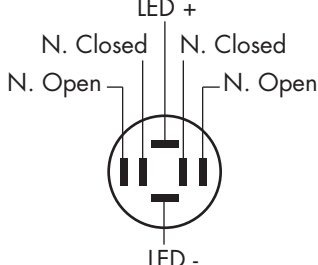


# USER GUIDE AND INSTALLATION MANUAL Billet Buttons

## SW38-SW49

### Illuminated and non-illuminated Buttons, latching and momentary


1. Identify the style of connector on your button in the images below.

<p><b>12mm</b></p> 	<p><b>16mm</b></p> 	<p><b>19mm</b></p> 	<p><b>22mm</b></p> 
			
<p><b>Part Numbers:</b> KICSWBM12X, SW45</p>	<p><b>Part Numbers:</b> KICSWBL16**, KICSWBM16**, SW38*, SW39*</p>	<p><b>Part Numbers:</b> KICSWBL19**, KICSWBM19**, SW42*, SW43*,  KICSWBL19X, KICSWBM19X (no illumination)</p>	<p><b>Part Numbers:</b> KICSWBL22**, KICSWBM22**, SW46*, SW47*</p>

2. Use 'Normally Open' connections to close circuit when button is pressed. Use 'Normally Closed' connections to open circuit when button is pressed.

3. Optionally, L.E.D. can be wired to illuminated upon button activation. Use the button itself to control L.E.D. See button illumination wiring diagram on page 2.

**BilletButtons™ hole sizes template:**



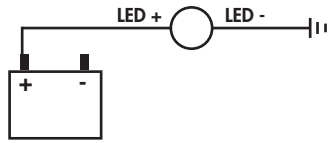
12mm      16mm      19mm      22mm

USER GUIDE AND INSTALLATION MANUAL

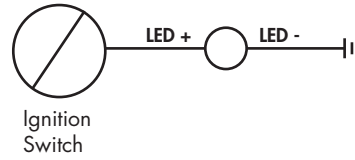
# Billet Buttons

## Button Illumination Wiring

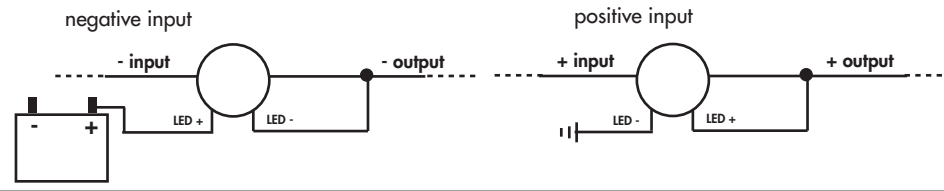
### Illumination Always On



### Illumination On With Ignition



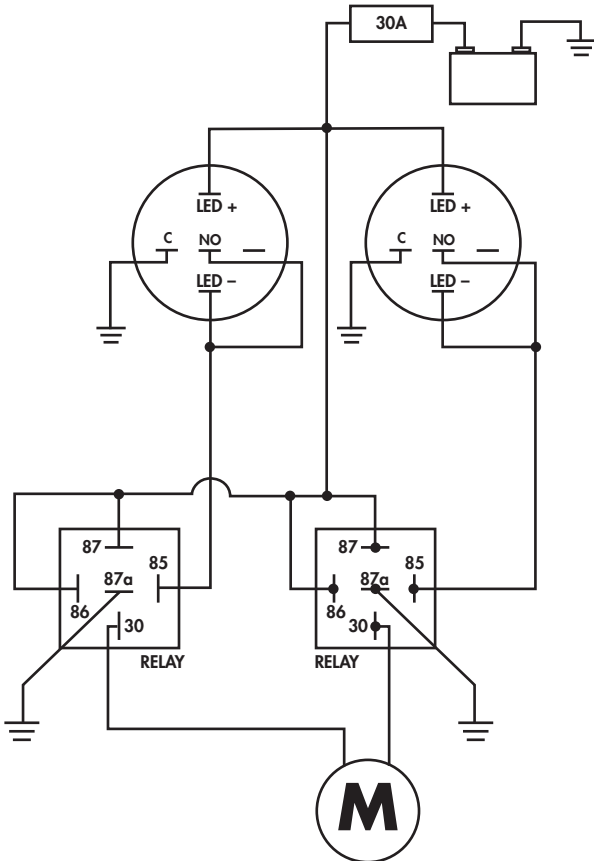
### Illumination On When Pushed



## Application Wiring

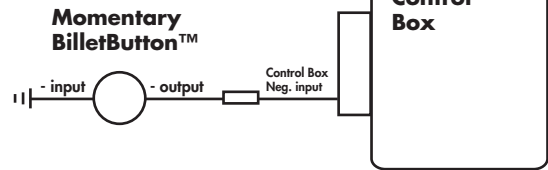
### Controlling Motors

Power Windows, Sunroof, Linear Actuators, Door Locks



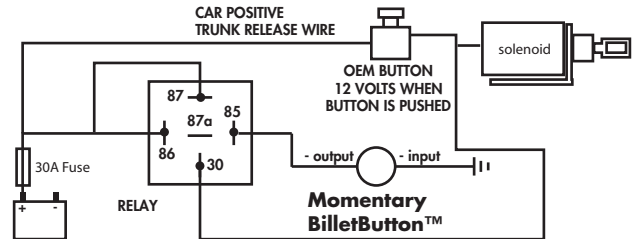
### Motor Control Units

Air Command, Window Control

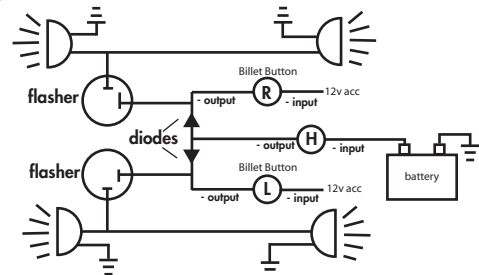


### Solenoid Control

Power Trunk, Shaved Door, Power Bear Claw

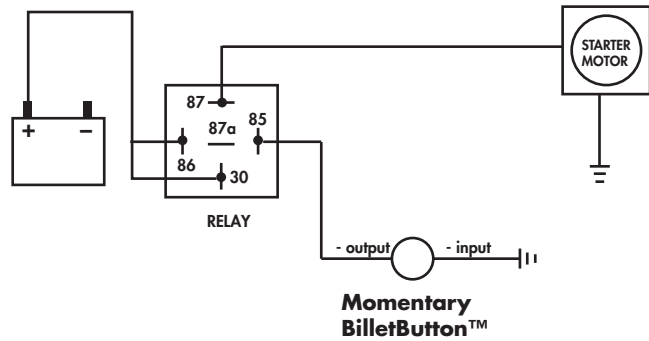


### Turn Signals & Hazards



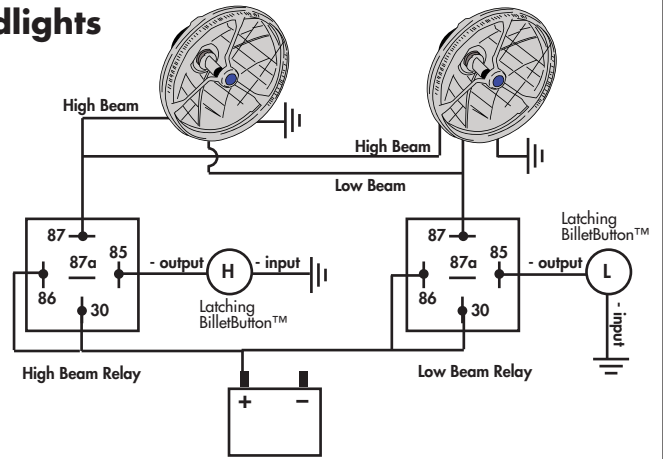
# Billet Buttons

## Engine Start

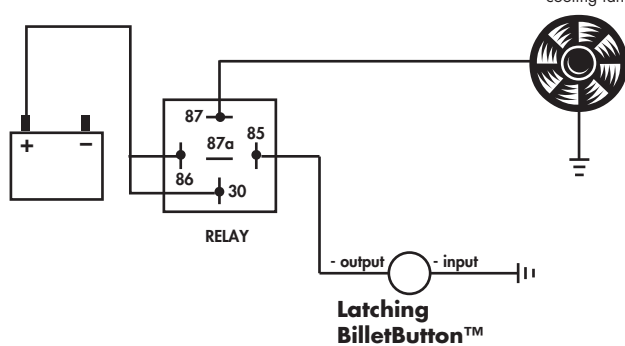


Note: Put key in ignition to unlock column and turn on accessory.

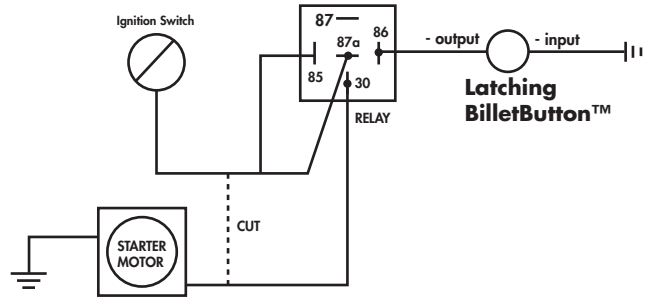
## Headlights



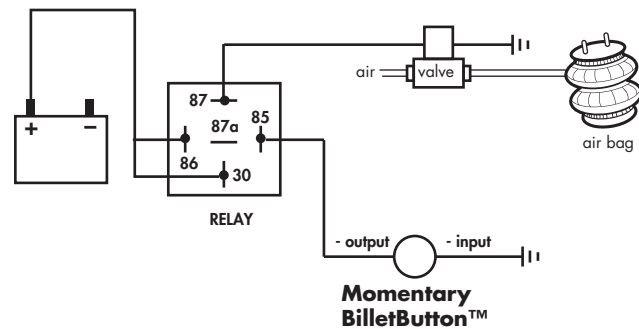
## Cooling Fan



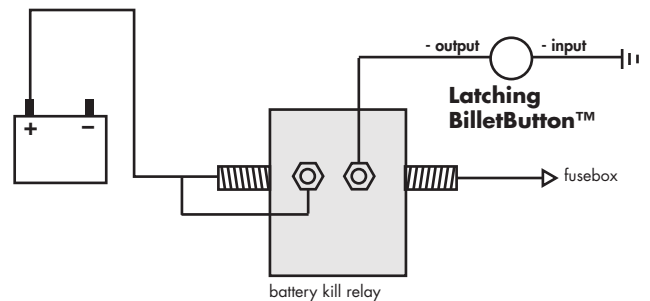
## Starter Kill



## Airbags

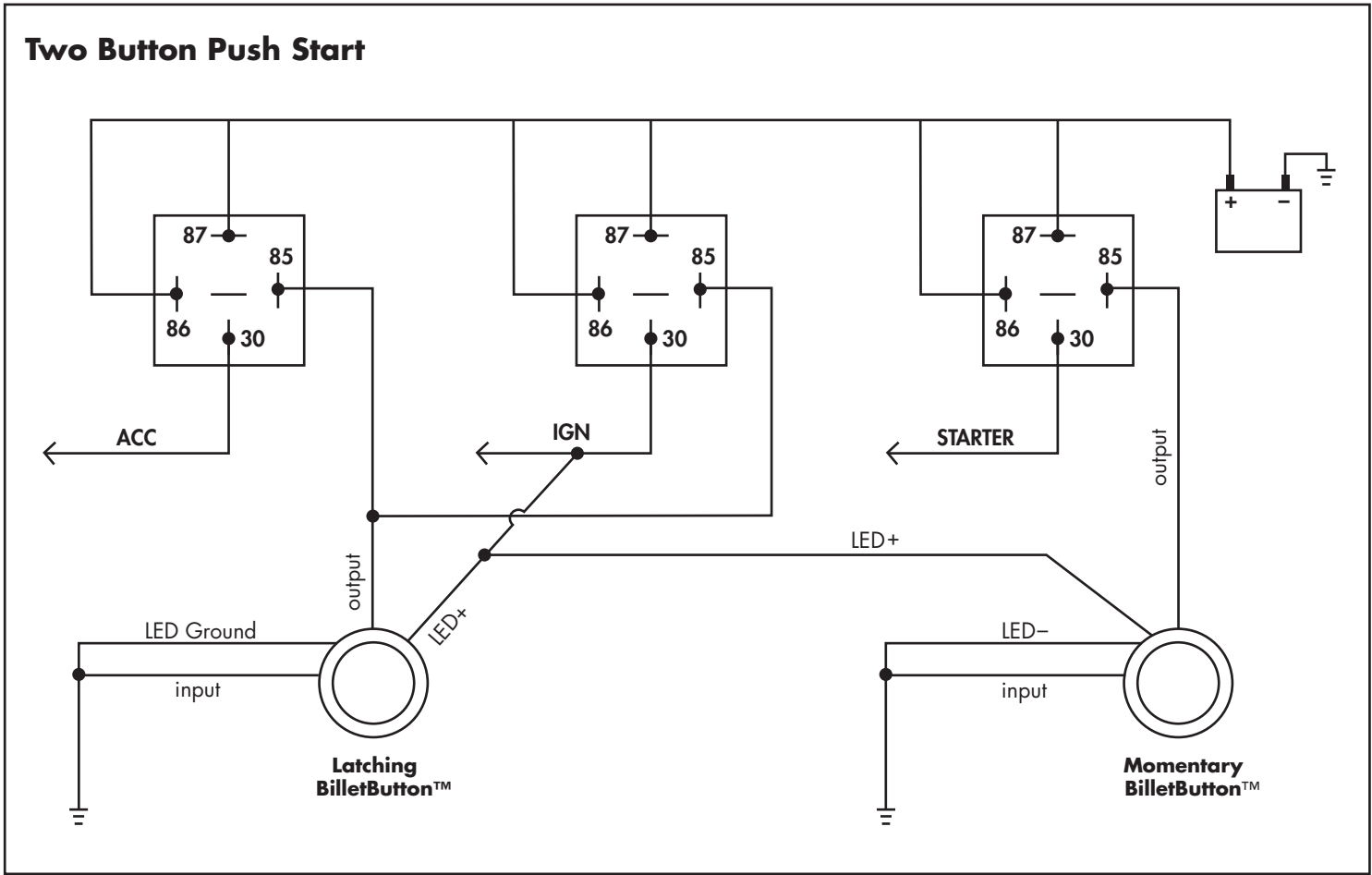


## Battery Kill



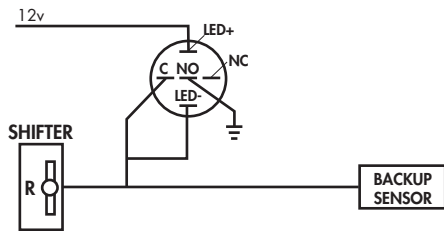
# USER GUIDE AND INSTALLATION MANUAL Billet Buttons

## Two Button Push Start

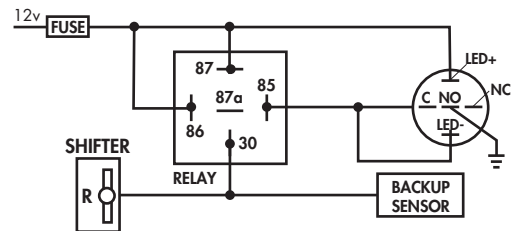


## Backup System Override

### Negative System



### Positive System



\*Some of our Billet Buttons have multiple color options. If you wire up your LED and it is the incorrect color, exchange the LED + and LED -, and the color will change.